

Professional Air Soap Cutter Hoist Instruction Manual



Model: PSC-01-Hoist

Important Safeguards

To reduce the risk of personal injury or property damage, when using electrical appliances basic safety precautions should always be followed, including the following:

- Read all instructions.
- Make sure nothing is turned on or plugged in until the water is completely covering the element.
- The outside of the tank will get HOT, use caution and keep children and pets away.
- Unplug from outlet when not in use and before cleaning. Allow cooling before putting on or taking off parts, and before cleaning.
- SAVE THESE INSTRUCTIONS

If you experience any difficulties with your equipment, have questions or suggestions, please contact
Technical Support at... customer care@discountsoapequipment.com

© 1995-2019 E&M Machining, Inc

765-754-3613 - discountsoapequipment.com - emmachining.com

Frankton, Indiana  Made in the USA

1. Use lock washers provided, for all bolts, place one on each side. All bolts are 5/16" (8mm) diameter. You will need two 1/2" (13mm) wrenches to tighten the nuts and bolts.
2. First, mount the Side Supports. These side supports angle up from the center of the Air Cutter frame on each side and supports the Horizontal Bar that the Hoist Track rests on. They have two holes close together on one end and are 42" (106cm) long. Use 3" (7.6cm) bolts.
3. Now attach the Horizontal Bar, which is 31.5" (80cm) long. Run a 3" (7.6cm) bolt into each end at the top of the Side Supports and tighten. The end of the Horizontal Bar is already tapped for the bolt.
4. Next, attach the Triangular Brace, to the top plate of the Air Cutter frame with 1" (2.54cm) bolts.
5. Bolt the Vertical Support, at the center, bottom and rear of the Air Cutter frame. Run a 5" (12.7cm) bolt through the frame and Vertical Support.
6. Now attach the other end of the Triangular Brace to the small angle iron bracket on the Vertical Support. Use a 1" (2.54cm) long bolt here.
7. Bolt the two, 1/4" (6mm) thick by 2" (5cm) wide, Angled Bars that mount to both the Vertical Support and Hoist Track to the top of the Vertical Support with a 3.5" (8.9cm) bolt.
8. Place the silver Hoist Track, on top of the Horizontal bar. Bolt the end that fastens to the Angled Bars using a, 3.5" (8.9cm) bolt.
9. Run a, 5" (12.7cm) bolt through the top of the Hoist Track and through the Horizontal Bar.
10. You are now ready to mount the paired Trolleys and Hoist into the Hoist Track. Simply slide them into the Hoist Track, making sure that the Hoist is facing the right direction; see picture. Place the Retainer Bolt in place.

If you experience any difficulties with your equipment, have questions or suggestions, please contact
Technical Support at... customer care@discountsoapequipment.com

© 1995-2019 E&M Machining, Inc

765-754-3613 - discountsoapequipment.com - emmachining.com

Frankton, Indiana  Made in the USA

Insert rollers, hoist, and then insert a 2.5" (6.35cm) retainer bolt. *Important, this bolt keeps hoist in track.*

A 5" (12.7cm) bolt goes through Hoist Track and through center of Horizontal Bar

Run a 3" (7.6cm) bolt into each end of Horizontal Bar, through the Side Support.

See
view
next
page

Two 3" (7.6cm) bolts anchor the Side Supports to the Air Cutter Frame

Run a 5" (12.7cm) bolt through the Air Cutter frame and Vertical Support.

IMPORTANT!

If you are using an Air Cutter Stand and are not attaching the Easy Hoist System to a wall then you must anchor the back legs of your stand to the floor.

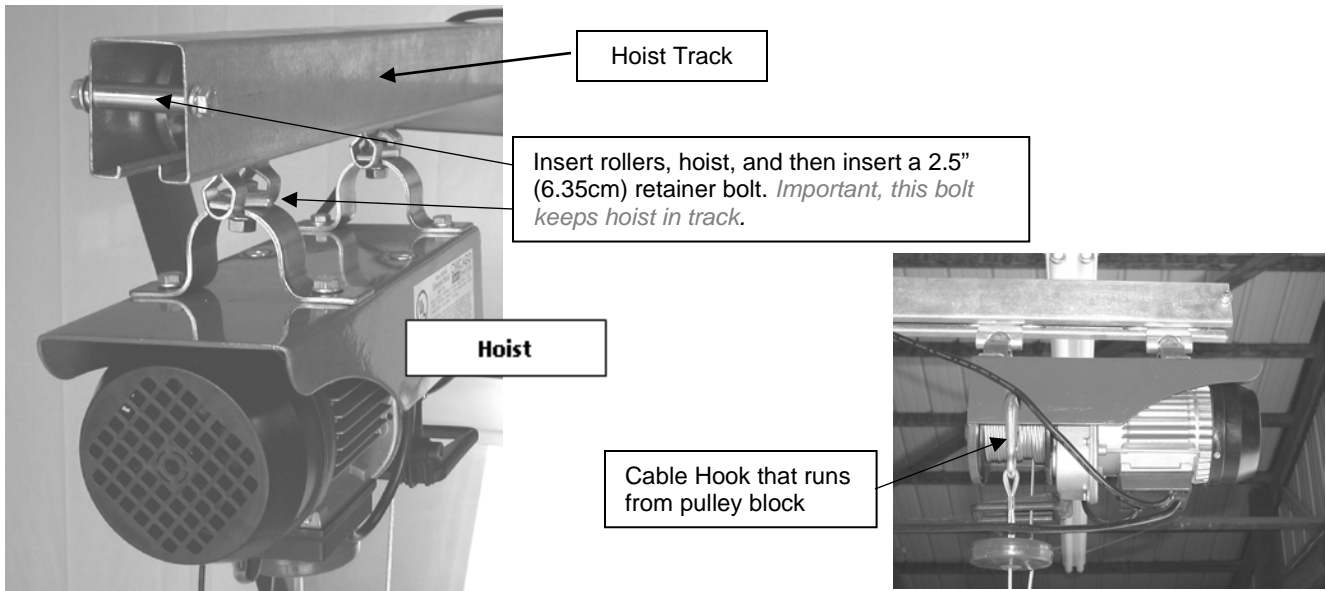
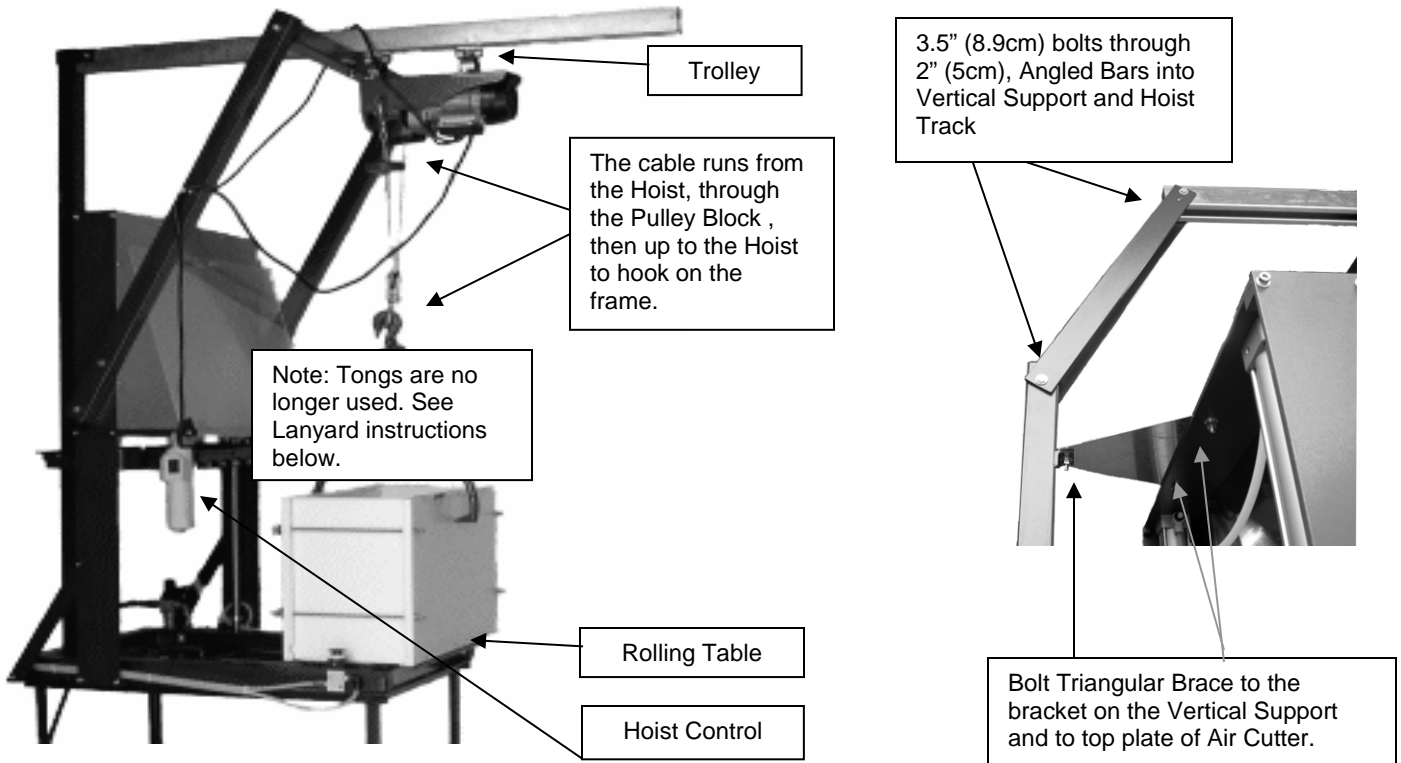


If you experience any difficulties with your equipment, have questions or suggestions, please contact
Technical Support at... customer care@discountsoapequipment.com

© 1995-2019 E&M Machining, Inc

765-754-3613 - discountsoapequipment.com - emmachining.com

Frankton, Indiana  Made in the USA



Using Your Easy Hoist System:

You will note that there is another booklet that comes with your hoist system. These are the manufactures instructions for the use of the hoist itself. It contains safety instructions, operating instructions and parts list. Read These Carefully...

If you experience any difficulties with your equipment, have questions or suggestions, please contact
Technical Support at... customer care@discountsoapequipment.com

© 1995-2019 E&M Machining, Inc

765-754-3613 - discountsoapequipment.com - emmachining.com

Frankton, Indiana  Made in the USA

1. The cable for your hoist runs through a Pulley Block (See Manufacturer Instructions). The cable hook is then attached to a hole in the side of the Hoist Frame (See Above).
2. At the end of this Pulley Block is another hook, this is the Pulley Block Hook, where you hook onto your Lanyards.
3. Lanyards are the two

pieces of steel cable with loops on each end.



Run one Wing Nut, on each of the two TOP Rods, out about ½" (12mm). This is so you have room to hook the loop for the Lanyard on each side of the Rod.



Take one of your Lanyard's and hook over the two Wing Nuts at one end of your Mold. Now do the other end of the mold the same way.



Your setup should look like this. Make sure the loops of the Lanyards are behind the Wing Nuts.



This is how your Lanyards should hook up to your Pulley Block Hook.



This is about ready to lift. There is one more thing to do...
Check all your work one more time!

If you experience any difficulties with your equipment, have questions or suggestions, please contact
Technical Support at... customer care@discountsoapequipment.com

© 1995-2019 E&M Machining, Inc

765-754-3613 - discountsoapequipment.com - emmachining.com

Frankton, Indiana  Made in the USA

4. You can now lift your mold. Only lift your mold just enough to clear the table.
5. Pushing smoothly on the mold and cable above, roll the mold along the track to where you want it.
6. Lower gently, onto the table and release the Pulley Block Hook from the Lanyards.
7. Remove the Lanyards.
8. Now holding onto the Pulley Block Hook to keep tension on it, push the UP button to rewind your cable, keeping tension on it as far as you can reach.
9. We suggest if you have a high ceiling where you cannot keep tension all the way up, to just get the Pulley Block Hook up out of the way. See cautions below.

Caution!

- **When rewinding your hoist cable without a load, hold onto the Pulley Block and keep tension on the cable as it re-winds. If you do not, the cable will have loose windings which can slip and jerk your load as you lift.**
- **Please Read... Carefully, the separate set of instructions on the Hoist that are included with your Easy Hoist System. This will cover electrical, troubleshooting, use of the control and parts descriptions.**
- **This Hoist System is not to be used for anything other than lifting one full mold of soap. Consult a qualified contractor if you are not sure of the support structure above or how to mount your hoist. You must be able to support a 250-pound (114kg) load from the structure above.**

If you experience any difficulties with your equipment, have questions or suggestions, please contact
Technical Support at... customer care@discountsoapequipment.com

© 1995-2019 E&M Machining, Inc

765-754-3613 - discountsoapequipment.com - emmachining.com

Frankton, Indiana  Made in the USA